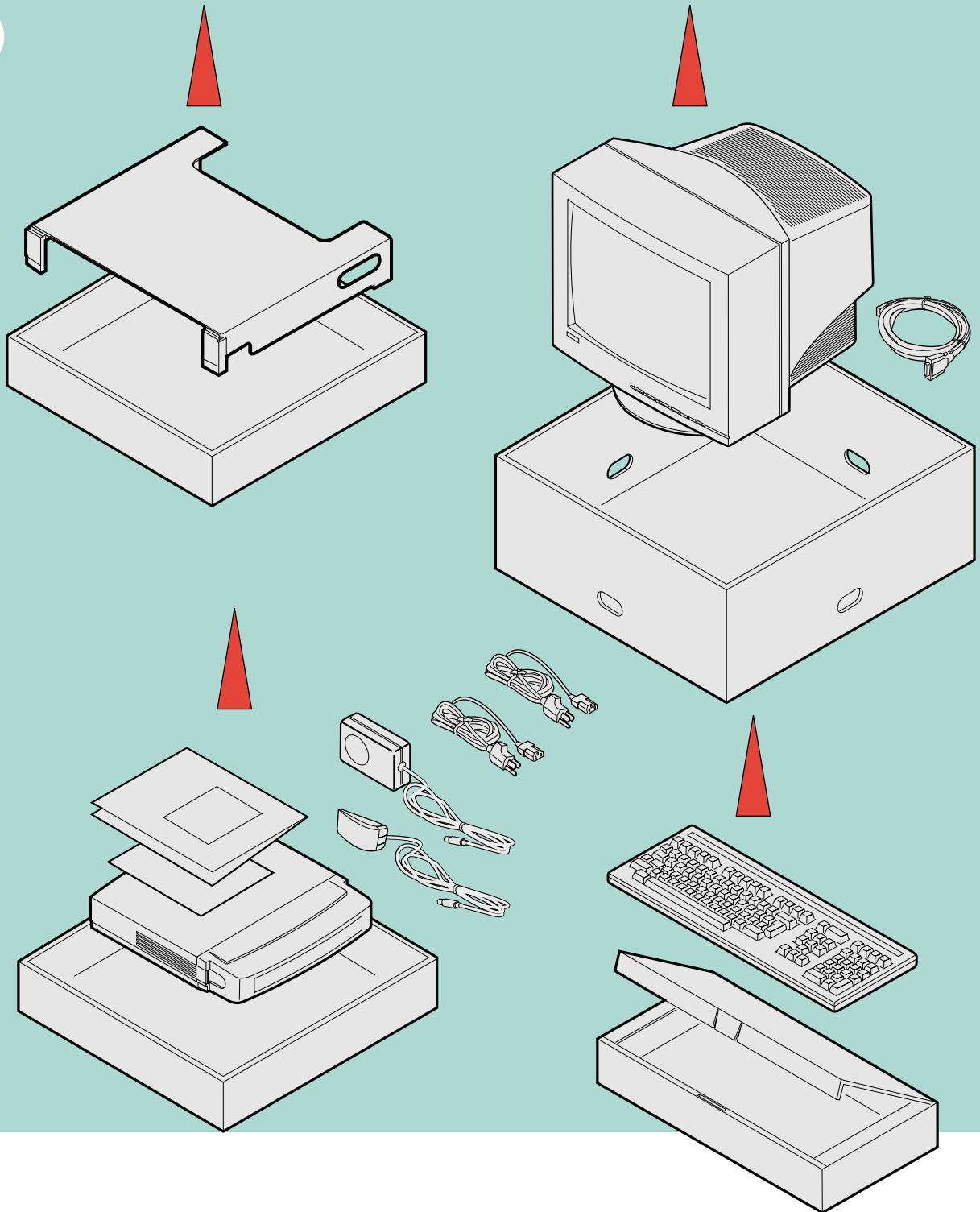


Copyright © 2000, Network Computing Devices, Inc. (NCD)

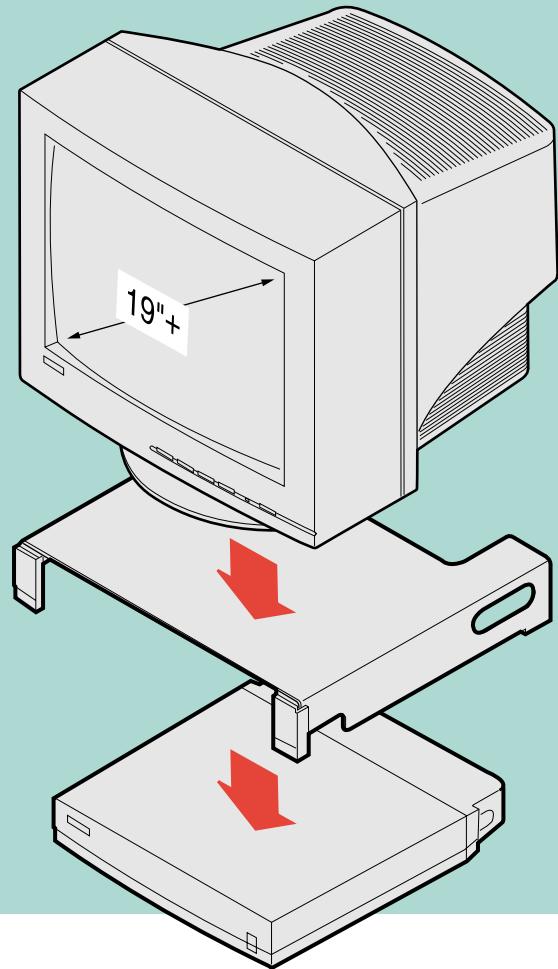
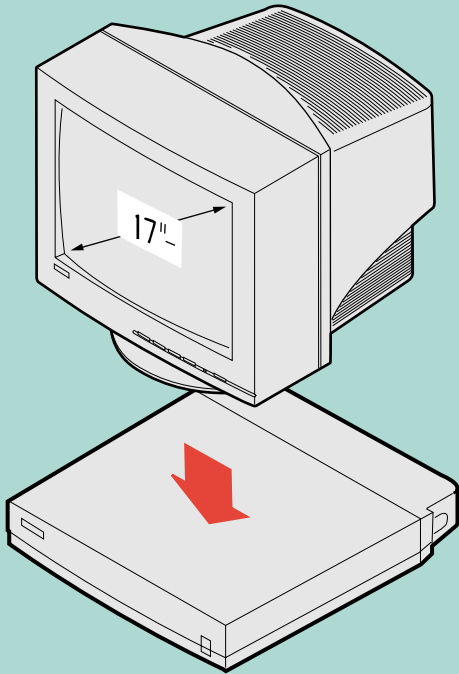


Network Computing Devices

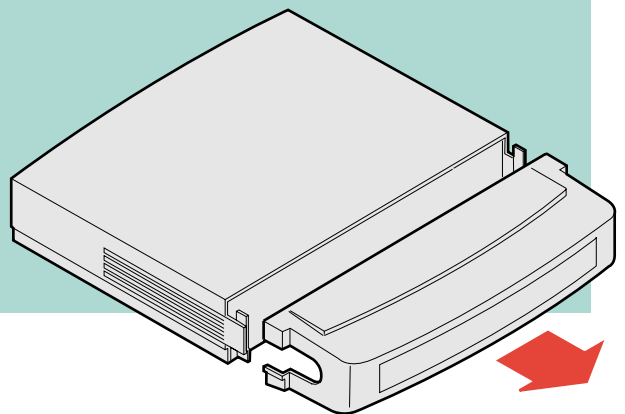
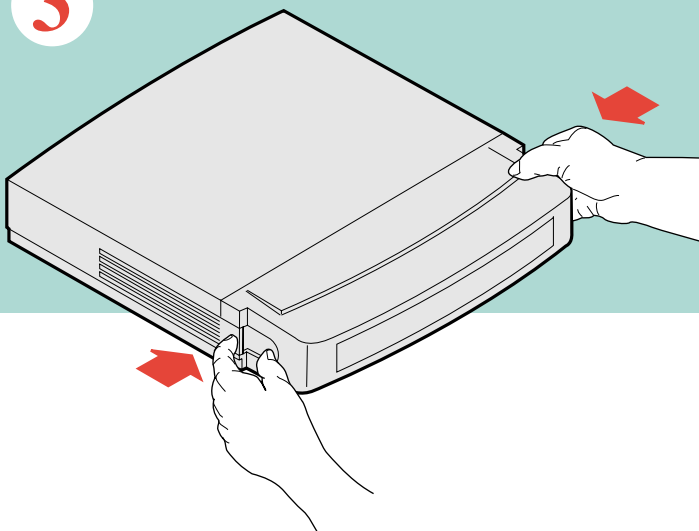
1

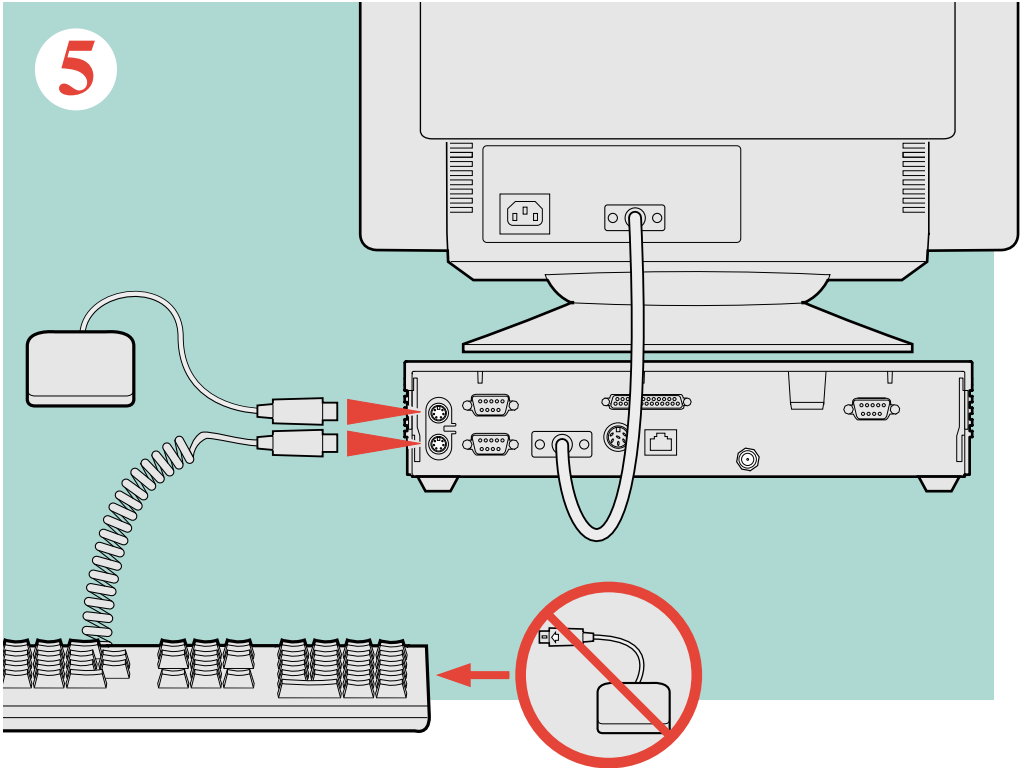
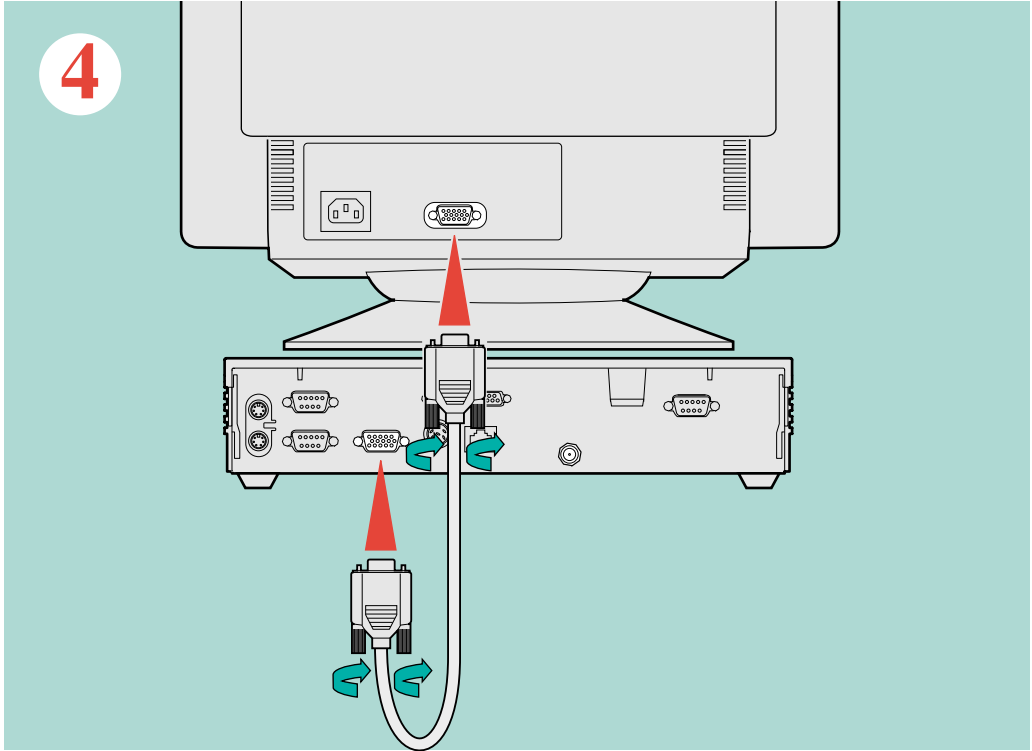


2

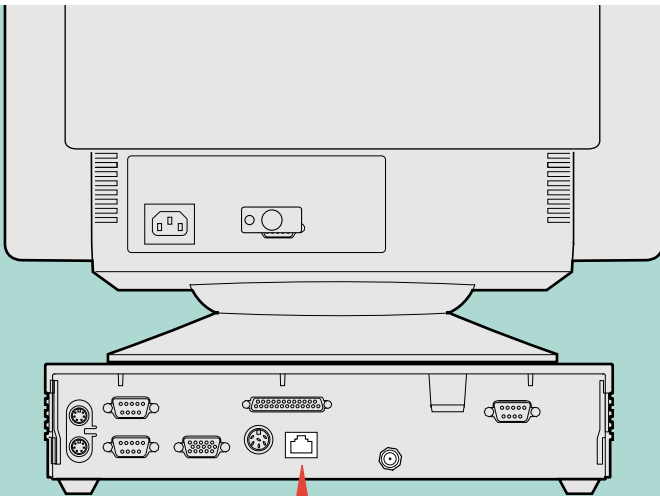


3

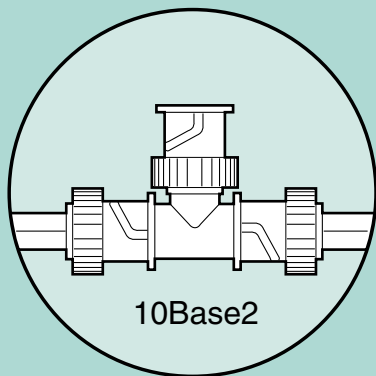
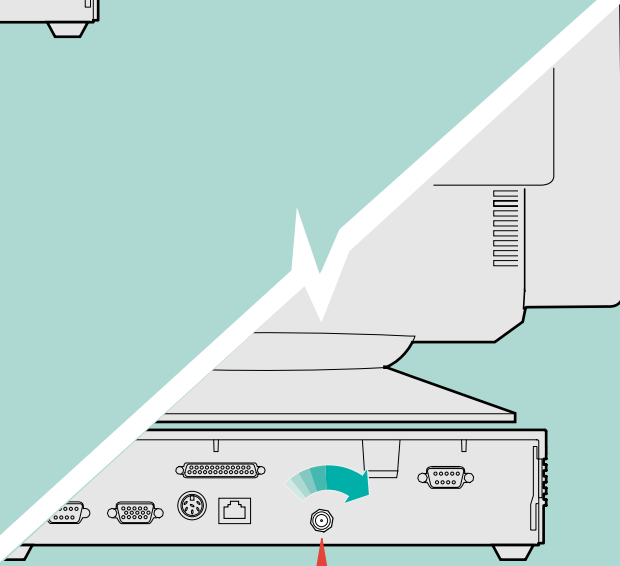
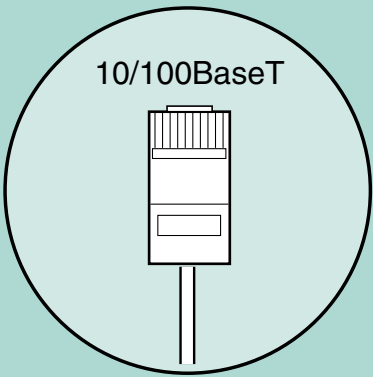


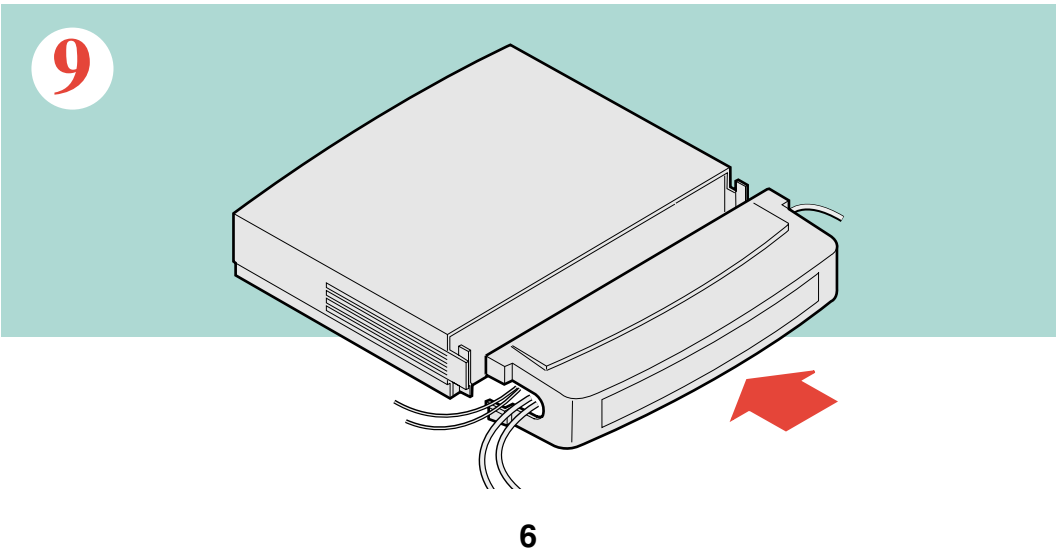
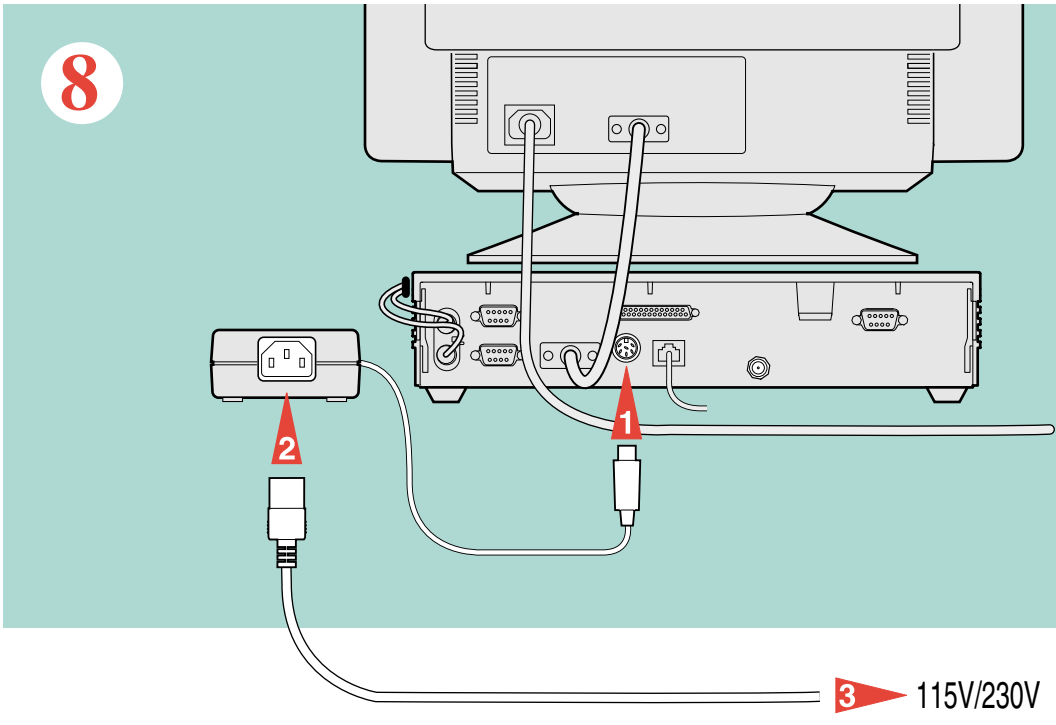
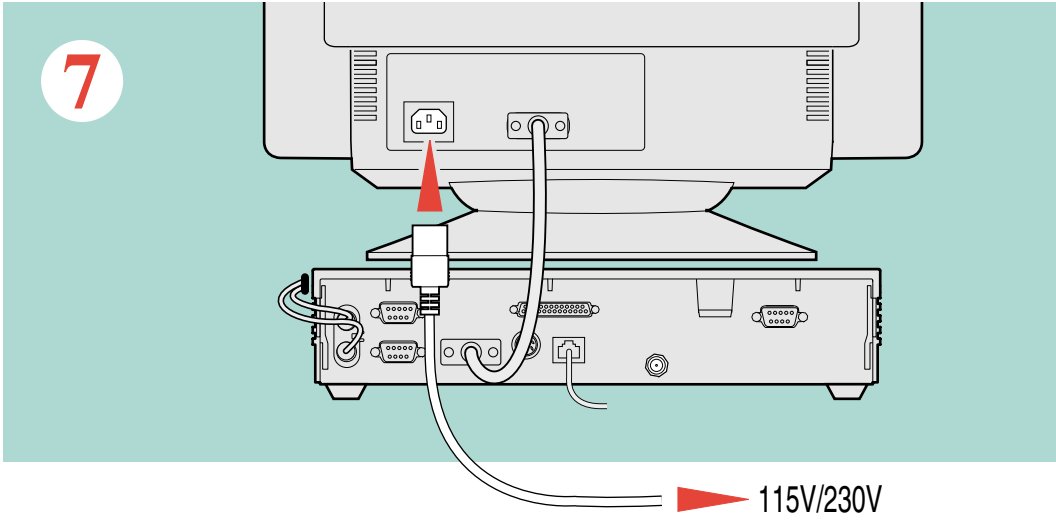


6

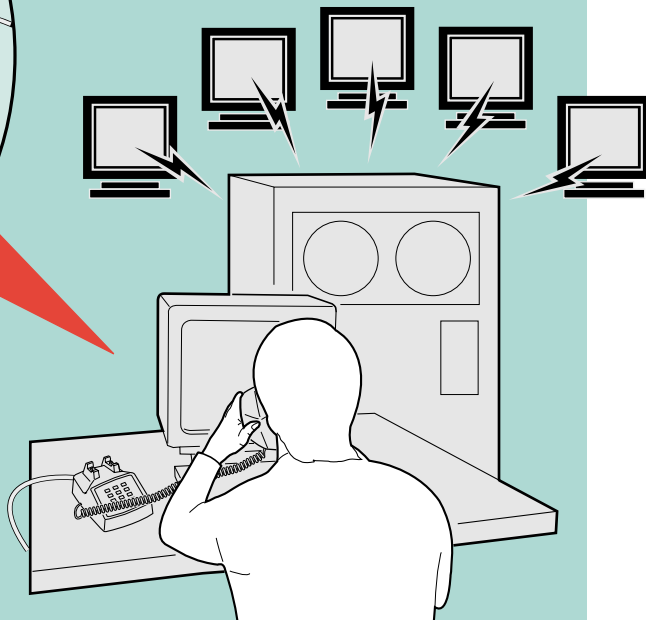
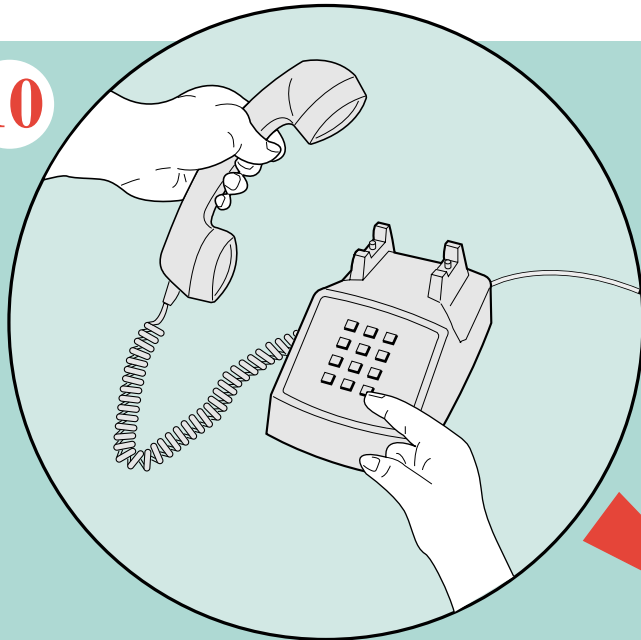


Connect only one network cable.
Connectez seulement un cable au réseau.
Nur ein Netzwirkabel anschliessen.
Collegate un solo cavo di rete.
Conecte solamente un cable de red.
Anslut endast en nätverkskabel.



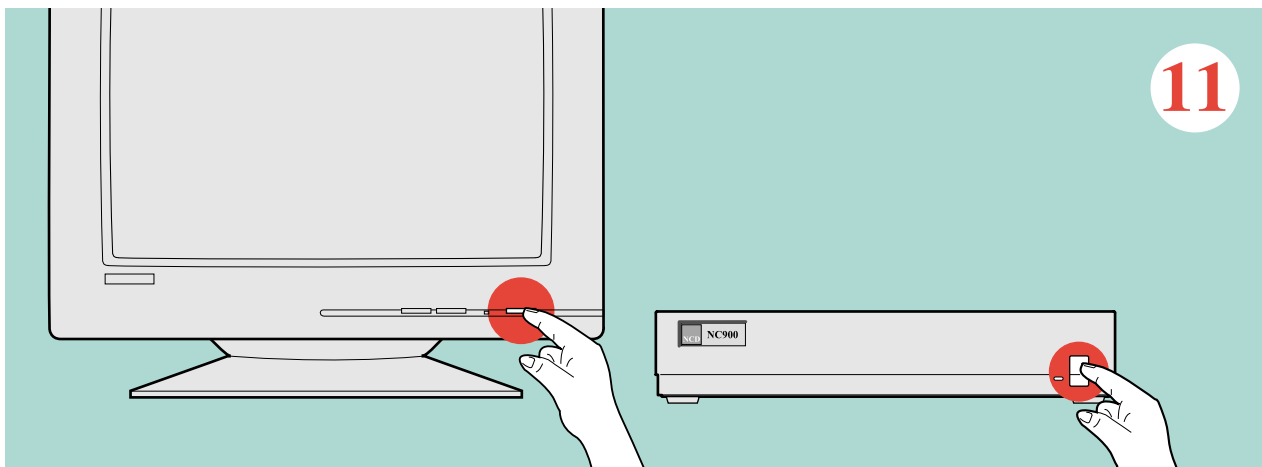


10



Contact System Administrator to verify software installation.
Demandez à l'Administrateur Système de vérifier l'installation logicielle.
Sprechen Sie mit dem System Administrator um der Installation der Software zu prüfen.
Contattate il Responsabile EDP per verificare l'installazione software.
Contacte con el Administrador del Sistema para verificar la instalacion del software.
Kontakta systemadministratören för kontroll av programvaruinstallationen.

11



Selecting a Monitor Setting and Keyboard

To configure the logic module for the appropriate display and keyboard:

1. Turn on the logic module and display. The first time you turn on the logic module, it goes through some of its power-up self-test, then enters the monitor setting (monset) autoscan mode and displays:

```
Press any key now to stop monset scanning (monset xx)
```

```
The monsets are scanned at about one per second until you press any key.
```

Note The logic module automatically enters the monitor-setting, scan mode only the first time it is turned on. To intentionally enter the scan mode, use the **selftest monset -1** command described on page 9.

2. As the monsets are scanned, watch for the best looking display and then press any key to stop monset scanning. The monset scan mode changes to manual mode and the following text appears:

```
This is monset x (resolution, frame rate, size, color/mono)
```

```
Press the F1 key to accept this monset
```

```
Press the F4 key for previous monset
```

```
Press any other key for next monset
```

3. When the display appearance is acceptable, press **F1** to save the monitor setting in the logic module's non-volatile memory and to bring up the keyboard selection menu.
4. Use the keyboard selection menu to confirm the keyboard setting shown or to change the setting to match your keyboard.

```
The current keyboard selections are highlighted
Press "Enter" key to confirm Press any other key to make changes
LAYOUT                                NATIONALITY
101/102 with SETUP key                 North American
101/102 with PAUSE key                 United Kingdom
VT200/LK401 Ultrix (ESC)              French
VT200/LK401 VMS (ESC)                 Swedish
VT200/LK401 X (ESC-BS-LF)             Danish
VT200/LK401 X (F11-F13)              Norwegian
UNIX (North American only)           German
3270                                   Italian
SUN V                                  Spanish
CUSTOM (North American Only)         Swiss/German
VT200/LK401 Modifiers                 Katakana
Typewriter Mode                       Finnish
Data Processing Mode                  Follows Language
LK401                                  VT200
```

Note The keyboard selection menu automatically appears only the first time the logic module is turned on. You can change the keyboard setting later using the **keyid** boot monitor command, remote configuration file, or Setup.

After you have validated the keyboard setting, contact your system administrator for additional instructions to complete the installation of the logic module.

Setting Display Characteristics

How to Use the `selftest monset` Command

While in boot monitor mode, use the `selftest monset` command to list or set the display drive characteristics for the logic module.

The syntax for this command is

`selftest monset [argument]`

When used without an argument, the `selftest monset` command lists as many monitor types as are supported by the logic module and displays the current display drive setting.

The accompanying table lists all the monitor setting values available for the NC900 at the time of this manual's publication.

When used with a numerical argument, the `selftest monset` command sets the appropriate display drive parameters in hardware and software.

When used with an argument of `-1`, the `selftest monset` command places the logic module in the scan mode. As you press the spacebar, the logic module advances through the list of monitor settings. When you arrive at a monitor setting that presents an acceptable display, press **Enter** or **Return** to store that selection in non-volatile memory.

Examples:

```
BOOT> selftest monset
```

```
BOOT> selftest monset 25
```

NC900 `monset` values are shown in the table on the right side of this page.

NC900 Monset Values			
Monset	Resolution	Rate	Display
15	1152x900	72Hz	17" Panasonic
16	1152x900	72Hz	19" Panasonic
21	1152x900	85Hz	17" Panasonic
24	1280x1024	72Hz	17" Panasonic
25	1280x1024	72Hz	19" Panasonic
31	1280x1024	72Hz	20" Sony
39	1152x900	70Hz	17" Panasonic
43	640x480	60Hz	10" ETC
50	1280x1024	60Hz	13.3" NEC LCD
51	1280x1024	72Hz	19" Hitachi
53	1600x1188	70Hz	21" Panasonic
57	480x640	60Hz	10.4" Planar
100	640x480	60Hz	15"
101	640x480	72Hz	15"
102	640x480	75Hz	15"
103	640x480	85Hz	15"
110	800x600	56Hz	15"
111	800x600	60Hz	15"
112	800x600	72Hz	15"
113	800x600	75Hz	15"
114	800x600	85Hz	15"
120	1024x768	60Hz	17"
121	1024x768	70Hz	17"
122	1024x768	75Hz	17"
123	1024x768	85Hz	17"
130	1280x1024	60Hz	19"
131	1280x1024	75Hz	19"
132	1280x1024	85Hz	19"
140	1600x1200	60Hz	21"
141	1600x1200	65Hz	21"
142	1600x1200	70Hz	21"
143	1600x1200	75Hz	21"
144	1600x1200	85Hz	21"

Certification and Compliance for Network Computers

MEDICAL CERTIFICATION (Applies only to logic modules that are marked as certified for medical use.)

Medical approval extends to use in patient vicinity; the product is not intended for patient connection.

NRTL certification to medical standards UL2601-1 and IEC601-1 requires the use of a hospital grade power cord.

NRTL certification to UL2601-1 and IEC601 requires that the display have the appropriate medical approval for the country of use. The standard monitor provided is approved for Information Technology Equipment (UL1950) only.

CANADIAN STANDARDS ASSOCIATION SAFETY APPROVAL UNDER UL1950, CSA950

Approved for NRTL by CSA for UL1950, CSA950.

CANADIAN CERTIFIED POWER CORDS

Canadian approval includes the products and power cords appropriate for use in the North America power network. All other power cords supplied are approved for the country of use.

FCC EMISSION CONTROL

This equipment has been tested and found to comply with the limits for a Class A digital device, pursuant to Part 15 of the FCC Rules. These limits are designed to provide reasonable protection against harmful interference when the equipment is operated in a commercial environment. This equipment generates, uses, and can radiate radio frequency energy and, if not installed and used in accordance with the instruction manual, may cause harmful interference to radio communications.

Operation of this equipment in a residential area is likely to cause harmful interference in which case the user will be required to correct the interference at his own expense. Changes or modifications not expressly approved by Network Computing Devices, Inc., can affect emission compliance and could void the user's authority to operate this equipment.

CANADIAN EMC NOTICE OF COMPLIANCE

This digital apparatus does not exceed the Class A limits for radio noise emissions from digital apparatus set out in the Radio Interference Regulations of the Canadian Department of Communications. Le present appareil numerique n'emet pas de bruits radioelectriques depassant les limites applicables aux appareils numeriques de la classe A prescrites dans le Reglement sur le brouillage radioelectrique edicte par le ministere des Communications du Canada.

ENS5022 CLASS A WARNING

For products that comply with Class A. In a domestic environment this product may cause radio interference in which case the user may be required to take adequate measures.

DECLARATION OF CONFORMITY

Manufacturer's Name:	Network Computing Devices, Inc.
Manufacturer's Address:	301 Ravendale Drive, Mountain View, CA 94043
Type of Equipment:	Business Network Computer
Model Number:	NC900 Series
Application of Council Directives:	89 / 336 / EEC, 73 / 23 / EEC
Standards to which Conformity is Declared:	EN 55022A, EN 55024, EN 60950, ACA, FCCA, and VCCIA
Importer's Name:	Network Computing Devices (France) SARL
Importer's Address:	5, bis rue de Petit-Robinson, 78533 Jouy-en-Josas cedex, France

We hereby declare the equipment specified above conforms to the above Directives and Standards.



T. Kellogg, Director, Business Development - Network Computers
April 2001

Network Computing Devices, Inc. declares under our sole responsibility that the computer to which this declaration relates, is in conformity with the following standard(s) or other normative documents:

EMC DIRECTIVE 89/336/EEC

EN55022 (Class A): 1998 – Limits and Methods of measurement of radio interference characteristics of Information Technology Equipment.

EN55024: 1998 – Electromagnetic compatibility Generic immunity standard Part 1: Residential, commercial and light industry.

LOW VOLTAGE DIRECTIVE 73/23/EEC

EN60950 – Safety of Information Technology Equipment including Electrical Business Equipment (includes Appendix ZB).

General Safety Summary

Review the following safety precautions to avoid injury and prevent damage to this product or any products connected to it. *Only qualified personnel should perform service procedures.*



INJURY PRECAUTIONS

Use Proper Power Cord

To avoid fire hazard, use only the power cord specified for this product.

Ground the Product

This product is grounded through the grounding conductor of the power cord. To avoid electric shock, the grounding conductor must be connected to earth ground.

Use Proper Fuse

To avoid fire hazard, use only the fuse type and rating specified for this product.

Do Not Operate in Wet or Damp Conditions

To avoid electric shock, do not operate this product in wet or damp conditions.

Do Not Operate in an Explosive Atmosphere

To avoid injury or fire hazard, do not operate this product in an explosive atmosphere.

Avoid Exposed Circuitry

To avoid injury, remove jewelry such as rings, watches, and other metallic objects. Do not touch exposed connections and components when power is present.

PRODUCT DAMAGE PRECAUTION

Use Proper Power Source

Do not operate this product from a power source that applies more than the voltage specified.

Provide Proper Ventilation

To prevent product overheating, provide proper ventilation.

Do Not Operate with Suspected Failures

If you suspect there is damage to this product, have it inspected by qualified service personnel.

SAFETY TERMS AND SYMBOLS

Terms in this Manual

These terms may appear in this manual:



WARNING: Warning statements identify conditions or practices that can result in personal injury or loss of life.



CAUTION: Caution statements identify conditions or practices that can result in damage to the equipment or other property.

Terms on the Product

These terms may appear on the product:

DANGER indicates a personal injury hazard immediately accessible as one reads the marking.

WARNING indicates a personal injury hazard not immediately accessible as you read the marking.

CAUTION indicates a hazard to property including the product.

Symbols on the Product

The following symbols may appear on the product:



DANGER: High voltage



Protective ground (earth) terminal



ATTENTION: Refer to manual

Network Computing Devices, Inc.
301 Ravendale Drive
Mountain View, CA 94043-5207

9300904 Rev. B

